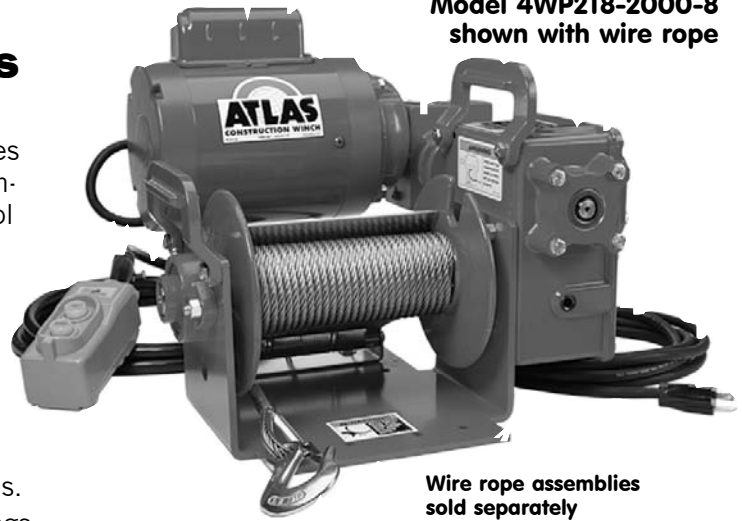


## Series 4WP2 and 4WP2T Worm Gear Power Winches

Up to 2000 lb capacity

- **115 Volt Single Phase Electric Motor** includes power cord with grounded plug and a momentary contact-type push button pendant control on a control cord.
- **Machine Cut Worm Gears** provide accurate operation and long lasting service.
- **Enclosed Oil Bath** provides continuous lubrication of gears to minimize wear. Oil seals keep oil in and dirt out.
- **Internal Mechanical Brake** provides positive load control for lifting and lowering operations.
- **Ball Bearings** and self-aligning bronze bearings provide smooth and efficient operation.
- **Pressure Plate** on series 4WP2T8 only, applies pressure to drum and wire rope to help maintain uniform winding.
- **Dual Function Cable Anchor** for quick disconnect of wire rope with swaged ball fitting, or recessed cable anchor with set screw for wire rope with unfinished end.
- **Mounting Options** include floor, wall, or ceiling.
- **Two-year Limited Warranty**



Model 4WP2T8-2000-8  
shown with wire rope

Wire rope assemblies  
sold separately

- **Cast Aluminum** construction, for lightweight strength.
- **Corrosion Resistant** durable paint finish protects against corrosion in harsh environments.
- **Large Diameter Drums** minimize wear to the wire rope and help extend its life.
- **Clutch Model** allows operator to manually disengage the drum to rapidly unwind wire rope. **Clutch models do not include pressure plates.**

### Series 4WP2 and 4WP2T – Performance Characteristics – Section 2

series	description	motor hp	load rating (lb)			wire rope dia. (in) <sup>1</sup>	line speed (fpm)		drum capacity (ft) <sup>2</sup>			approx. ship wt. (lb)
			1st layer	mid drum	full drum		1st layer	full drum	1st layer	mid drum	full drum	
4WP2 <sup>3</sup>	includes controls	1.3	2000	1500	1200	1/4	8	13	11	35	77	85
4WP2T8-2000-8 <sup>4</sup>	includes controls	1.3	2000	1200	800	1/4	8	19	19	130	280	101
	ATLAS winch – 8" drum – for pulling or lifting					5/16	8	19	15	85	190	
4WP2TC-2000-8 <sup>4</sup>	includes controls clutch model – 5.5" drum – for horizontal pulling only	1.3	2000	1200	800	1/4	8	19	12	87	190	106

**Motor Options** – standard motor is 115/1/60 VAC TENV, for other configurations add motor code to model number when ordering.

Example: 4WP2T8-2000-8-PN (pneumatic winch)

A <sup>5</sup>	115 volt 1 phase – no controls or power cord – TENV
B <sup>5</sup>	230 volt 1 phase – no controls or power cord – TEFC
D <sup>5</sup>	230 volt 3 phase – no controls or power cord – TEFC
E <sup>5</sup>	460 volt 3 phase – no controls or power cord – TEFC
F	all other voltages or hertz
PN <sup>6</sup>	8-vane air motor with controls (mounted)
DC	12 volt DC with 10 foot pendant control

<sup>1</sup> Minimum wire rope diameter is 1/4 inch.

<sup>2</sup> Actual drum capacities may be 25-30% less, due to nonuniform winding. Tension in wire rope will also affect drum capacity.

<sup>3</sup> Model 4WP2, 115 VAC motor includes 8 foot power cord with grounded plug, and NEMA 4 push button pendant on 6 foot cord.

<sup>4</sup> For 4WP2T8 and 4WP2TC, 115 VAC motor includes 16 foot power cord with grounded plug, and push button pendant control on 16 foot cord.

<sup>5</sup> Controls are sold separately for all non-standard electric motors (A, B, D, and E), see table below.

<sup>6</sup> For PN models, ratings are for 80 cfm at 100 psi.

Please contact factory or nearest Thern Distributor for firm fixed price and delivery.

#### Notes:

- For more information and other control options, please see pages 46-47.
- Custom controls are available including wireless remote control, variable speed control, electronic overload, and enclosures for special environments.

### Control Options and Accessories – Section 2

model	description	approx. ship wt.
10L2A1 <sup>6</sup>	NEMA 1 control switch – mounted and wired	3 lb
10L2A4 <sup>6</sup>	NEMA 4 watertight control switch – mounted and wired	7 lb
TPL-4WP2T8	Two Part Line Kit – not available for 4WP2 Series	4 lb

Please contact factory or nearest Thern Distributor for firm fixed price and delivery.

<sup>6</sup> Controls for 115 volt, single phase, 60 cycle include an 8 ft power cord with grounded plug.

See Dimensions on Next Page

### Options and Accessories

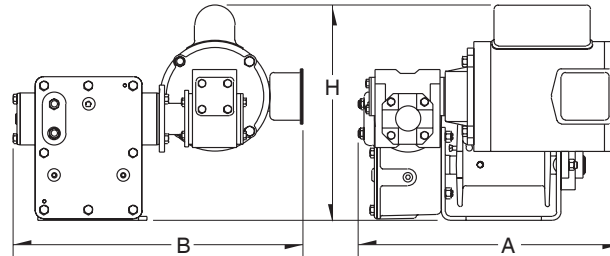
- **Emergency Hand Crank** for manual operation in case of power failure. Does not include handle.
- **Two Part Line Kit** to convert to double line rigging. **Not available for 4WP2 Series.**
- **Rotary Limit Switches** for secondary shut-off to limit load travel in one or two directions. **Not available on clutch models.**
- **Special Motors and Controls** including severe duty and explosion proof.
- **Special Finishes** for hazardous environments.
- **Torque Limiters** as part of the motor controls on electric models.

#### Important:

It is the owner's or operator's responsibility to determine the suitability of the equipment to its intended use. Study all applicable codes, manuals, and regulations. Be sure to read the Owner's Manual supplied with the equipment before operating it.

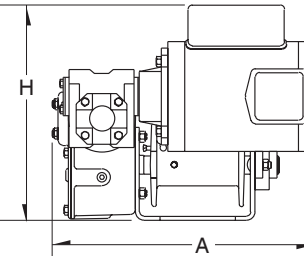
#### Side View

##### Series 4WP2

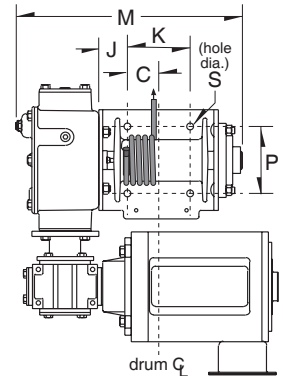


Install wire rope correctly as shown, or brake will not operate properly.

#### Rear View

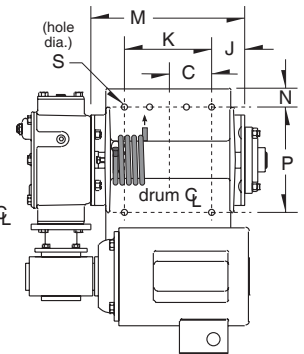
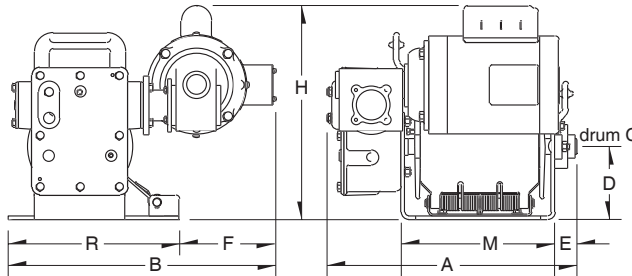


#### Top View



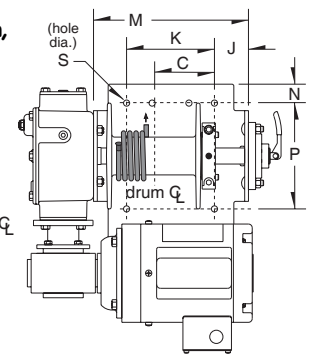
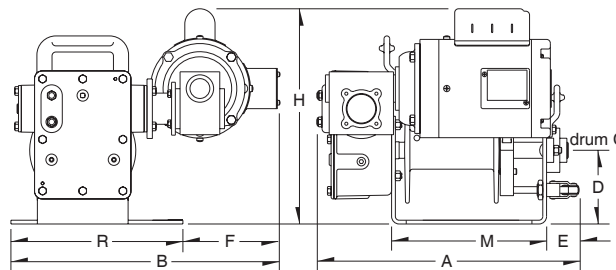
##### Series 4WP2T8

Install wire rope correctly as shown, or brake will not operate properly.



##### Series 4WP2TC clutch models

Install wire rope correctly as shown, or brake will not operate properly.

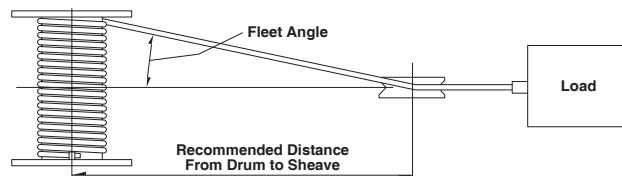


### Series 4WP2 and 4WP2T – Dimensions (in)

model number	A <sup>1</sup>	B <sup>1</sup>	C	D	E	F	H <sup>1</sup>	J	K	M	N	P	R	S (hole dia.)
4WP2	15.63	17.28	1.72	—	—	—	12.84	1.72	3.75	13.50	—	4.00	—	.41
4WP2T8-2000-8	16.62	17.80	2.75	4.88	1.44	6.43	14.25	2.25	5.81	10.25	1.25	7.00	11.38	.41
4WP2TC-2000-8	17.34	17.80	4.02	4.88	2.16	6.43	14.25	2.25	5.81	10.25	1.25	7.00	11.38	.41

Dimensions are for reference only and subject to change without notice.

<sup>1</sup> Dimensions A, B and H may vary with motor selection.



### Series 4WP2 and 4WP2T – Drum Dimensions

model extension	drum diameter	flange diameter	drum width	fleet angle distance <sup>2</sup>
4WP2	2.50 in	5.00 in	5.00 in	8 ft
4WP2T8-2000-8	2.50 in	7.00 in	8.00 in	13 ft
4WP2TC-2000-8	2.50 in	7.00 in	5.50 in	9 ft

Dimensions are for reference only and subject to change without notice.

<sup>2</sup> Recommended minimum distance between drum and lead sheave for smooth drum.

# Series 4WP2D High Speed Worm Gear Power Winches

Up to 1500 lb capacity

- **Direct Drive Design** delivers high speed operation in both directions, even under full load.
- **Machine Cut Bronze Worm Gears** provide accurate operation and long lasting service.
- **Enclosed Oil Bath** provides continuous lubrication of gears to minimize wear. Oil seals keep oil in and dirt out.
- **Internal Mechanical Brake** provides positive load control for lifting and lowering operations.
- **Ball Bearings** and self-aligning bronze bearings provide smooth and efficient operation.
- **Pressure Plate** applies pressure to drum and wire rope to help maintain uniform winding. Not available on clutch models.
- **Dual Function Cable Anchor** for quick disconnect of wire rope with swaged ball fitting, or recessed cable anchor with set screw for wire rope with unfinished end.
- **Mounting Options** include floor, wall, or ceiling.
- **Two-year Limited Warranty**
- **Cast Aluminum** construction, for lightweight strength.
- **Corrosion Resistant** durable paint finish protects against corrosion in harsh environments.

Model 4WP2D8-1500-40 shown with wire rope



Wire rope assemblies and controls sold separately

- **Large Diameter Drums** minimize wear to the wire rope and help extend its life.
- **Clutch Model** allows operator to manually disengage the drum to rapidly unwind wire rope. **Clutch models do not include pressure plates.**

## Series 4WP2D – Performance Characteristics – Section 2

When ordering, please indicate Model Number and Extensions  
 Examples: 4WP2D8-800-26-A (without clutch); 4WP2DC-800-40-A (with clutch)

model number	model number extensions			motor hp	load rating (lb)			wire rope dia.(in) <sup>1</sup>	line speed (fpm)		drum capacity(ft) <sup>2</sup> approx. <sup>3</sup>			ship wt.(lb)
	load rating	line speed	motor codes		1st layer	mid drum	full drum		1st layer	full drum	1st layer	mid drum	full drum	
<b>High Speed Atlas winches for lifting or pulling</b>														
4WP2D8	800	26	A,B,D,E	1	800	460	330	1/4	26	65	19	130	280	100
4WP2D8	800	40	D,E	1.5	800	460	330	1/4	40	97	19	130	280	100
4WP2D8	1500	26	D,E	2	1500	900	600	1/4	26	65	19	130	280	100
4WP2D8	1500	40	B,D,E	3	1500	900	600	1/4	40	97	19	130	280	100
<b>High Speed Clutch Models for HORIZONTAL PULLING ONLY</b>														
4WP2DC	800	26	A,B,D,E	1	800	460	330	1/4	26	65	12	87	190	100
4WP2DC	800	40	D,E	1.5	800	460	330	1/4	40	97	12	87	190	100
4WP2DC	1500	26	D,E	2	1500	900	600	1/4	26	65	12	87	190	100
4WP2DC	1500	40	B,D,E	3	1500	900	600	1/4	40	97	12	87	190	100

### Motor Codes

A	115 volt	1 phase
B	230 volt	1 phase
D	230 volt	3 phase
E	460 volt	3 phase
F	All other voltages – please contact factory	
PN	please contact factory	

- For more information and other control options, please see pages 46-47.
- Custom controls are available including wireless remote control, variable speed control, electronic overload, and enclosures for special environments.

Please contact factory or nearest Thern Distributor for firm fixed price and delivery.

<sup>1</sup> Minimum wire rope diameter is 1/4 inch.

<sup>2</sup> Actual drum capacities 25-30% less, due to nonuniform winding. Wire rope tension will also affect drum capacity.

<sup>3</sup> Weight may vary with motor.

### Control Options and Accessories – Section 2

model	description	115/1/60 <sup>4</sup>	230/1/60	230/3/60	460/3/60
10L2A1	NEMA 1	to 1.5 hp	to 2 hp	to 3 hp	to 3 hp
10L7E1	NEMA 1	to 1.5 hp	to 3 hp	to 5 hp	to 7.5 hp
10L2A4	NEMA 4 – watertight	to 1.5 hp	to 2 hp	to 3 hp	to 3 hp
10L7E4	NEMA 4 – watertight	to 1.5 hp	to 3 hp	to 5 hp	to 7.5 hp
10P1A46	6 ft pendant control	to 1 hp	—	—	—
TPL-4WP2T8	Two Part Line Kit	—	—	—	—

Please contact factory or nearest Thern Distributor for firm fixed price and delivery.

<sup>4</sup> Controls for 115V single phase motors up to 1 hp, include an 8 ft power cord with grounded plug.

See Dimensions on Next Page

### Options and Accessories

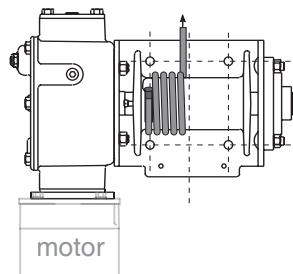
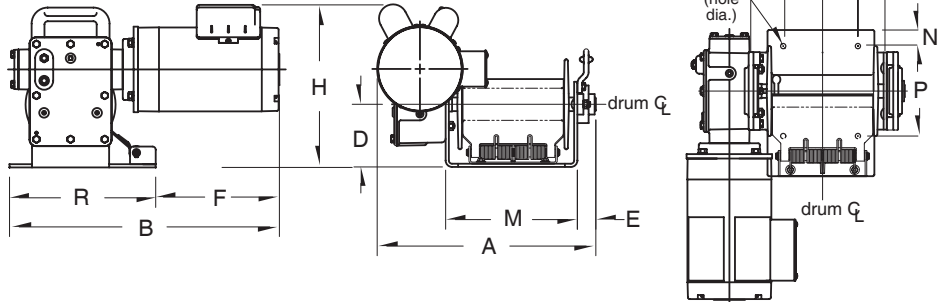
- **Emergency Hand Crank** for manual operation in case of power failure. Does not include handle.
- **Two Part Line Kit** to convert to double line rigging.
- **Rotary Limit Switches** for secondary shut-off to limit load travel in one or two directions. **Not available on clutch models.**
- **Special Motors and Controls** including severe duty and explosion proof.
- **Special Finishes** for hazardous environments.
- **Torque Limiters** as part of the motor controls on electric models.

Side View

Rear View

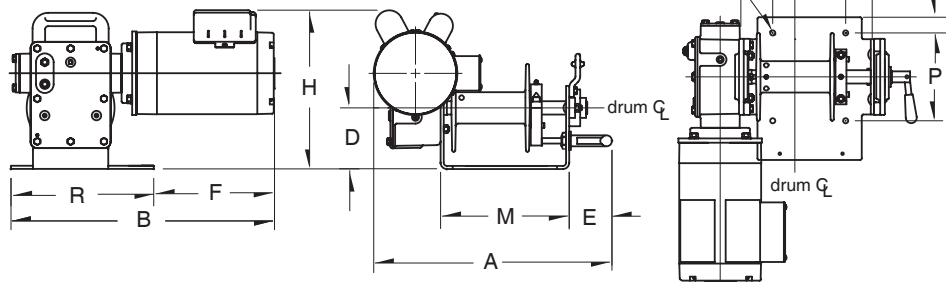
Top View

Series 4WP2D8



Install wire rope correctly as shown, or brake will not operate properly.

Series 4WP2DC



**Important:**

It is the owner's or operator's responsibility to determine the suitability of the equipment to its intended use. Study all applicable codes, manuals, and regulations. Be sure to read the Owner's Manual supplied with the equipment before operating it.

**Series 4WP2D – Dimensions (in)**

series	A <sup>1</sup>	B <sup>1</sup>	C	D	E	F	H <sup>1</sup>	J	K	M	N	P	R	S (hole dia.)
4WP2D8	17.50	21.00	2.75	5.00	1.50	9.50	12.75	2.25	5.81	10.25	1.25	7.00	11.50	.41
4WP2DC	19.00	21.00	4.00	5.00	3.50	9.50	12.75	2.25	5.81	10.25	1.25	7.00	11.50	.41

Dimensions are for reference only and subject to change without notice.

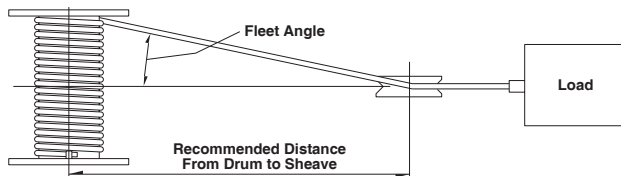
<sup>1</sup> Dimensions A, B and H may vary with motor selection.

**Series 4WP2D – Drum Dimensions**

model extension	drum diameter	flange diameter	drum width	fleet angle distance <sup>2</sup>
4WPD8	2.50 in	7.00 in	8.00 in	13 ft
4WPDC	2.50 in	7.00 in	5.50 in	9 ft

Dimensions are for reference only and subject to change without notice.

<sup>2</sup> Recommended minimum distance between drum and lead sheave for smooth drum.



Model 4771  
 shown with  
 wire rope

 Wire rope assemblies  
 sold separately

Model 4771PN



## Series 477 Helical/Worm Gear Power Winches

Up to 2000 lb capacity

- **Machine Cut Gears** for accurate and long lasting service.
- **Enclosed Oil Bath** provides continuous lubrication of gears to minimize wear. Oil seals keep oil in and dirt out.
- **Internal Mechanical Brake** for positive load control.
- **Cast Aluminum** construction for lightweight strength, with durable paint finish to resist corrosion.
- **Ball Bearings** ensure smooth and efficient operation.
- **Series 4777** is designed with a 4 inch wide drum for tight fleet angle installations.
- **Accessory Options** include limit switches, cable pressure plates, torque limiting controls, and manual overrides.
- **Large Diameter Drums** minimize wear to the wire rope and help extend its life.
- **Mounting Options** include floor, wall, or ceiling.
- **Two-year Limited Warranty**

### Series 477 – Configurations and Performance Characteristics – Section 2

model number	motor description	motor hp	load rating (lb)			wire rope dia. (in)	line speed (fpm)		drum capacity (ft) <sup>1</sup>			approx. ship wt. (lb)
			1st layer	mid drum	full drum		1st layer	full drum	1st layer	mid drum	full drum	
4771 <sup>2</sup>	115/1/60 VAC – 6 ft pendant	1.2	2000	1500	1200	5/16	13	22	13	40	90	88
4771AC-1PH	115/1/60 VAC – less controls	1.2	2000	1500	1200	5/16	13	22	13	40	90	87
4771AC-1PH2 <sup>3</sup>	115/230/1/60 VAC – less controls	1.5	2000	1500	1200	5/16	13	22	13	40	90	115
4771AC-3PH <sup>3</sup>	230/460/3/60 VAC – less controls	1.5	2000	1500	1200	5/16	13	22	13	40	90	111
4771DC <sup>4</sup>	12 VDC – with 10 ft pendant	1.0	2000	1500	1200	5/16	13	22	13	40	90	105
4771PN <sup>4,5</sup>	pneumatic – less controls	1.2	2000	1500	1200	5/16	13	22	13	40	90	70
4771HY <sup>4,5</sup>	hydraulic – less controls	2.3	2000	1500	1200	5/16	13	22	13	40	90	72
4777 <sup>2</sup>	115/1/60 VAC – 6 ft pendant	1.2	2000	1500	1200	5/16	13	22	7	27	60	93
4777DC <sup>4</sup>	12 VDC – with 10 ft pendant	1.0	2000	1500	1200	5/16	13	22	7	27	60	105

Please contact factory or nearest Thern Distributor for firm fixed price and delivery.

<sup>1</sup> Actual drum capacities may be 25-30% less, due to nonuniform winding. Tension in wire rope will also affect drum capacity.

<sup>2</sup> Motor includes an 8 ft. power cord with grounded plug, and a push button pendant control on 6 ft cord.

<sup>3</sup> For Models 4771AC-1PH2 and 4771AC-3PH, please specify voltage when ordering.

<sup>4</sup> For pneumatic, hydraulic, and DC models, line speed is based on rated load, actual line speed varies with load weight and power supply.

<sup>5</sup> For Model 4771PN, ratings are for 80 cfm at 100 psi. For Model 4771HY, ratings are for 4 gpm at 1000 psi.

#### Notes:

■ For more information and other control options, please see pages 46-47.

■ Custom controls are available including wireless remote control, variable speed control, electronic overload, and enclosures for special environments.

### Series 477 – Controls – Section 2

model	description	approx. ship wt.
10L2A1 <sup>6</sup>	NEMA 1 control switch – mounted and wired	3 lb
10L2A4 <sup>6</sup>	NEMA 4 watertight control switch – mounted and wired	7 lb
477PN-CNTRL	pneumatic control valve (not mounted or plumbed, no hoses)	6 lb
477PN-HS6	6 ft hoses for pneumatic controls (not plumbed)	4 lb
477HY-CNTRL	hydraulic control valve (not mounted or plumbed, no hoses)	5 lb
477HY-HS6	6 ft hoses for hydraulic controls (not plumbed)	4 lb

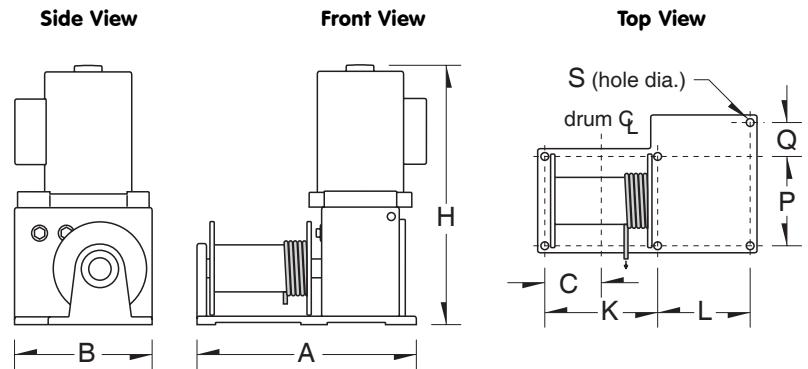
Please contact factory or nearest Thern Distributor for firm fixed price and delivery.

<sup>6</sup> Controls for 115 volt, single phase, 60 cycle include an 8 ft. power cord with grounded plug.

See Dimensions on Next Page

### Options and Accessories

- **Emergency Hand Crank** for manual operation in case of power failure. Does not include handle.
- **Rotary Limit Switches** for secondary shut-off to limit load travel in one or two directions.
- **Special Motors and Controls** including severe duty and explosion proof.
- **Special Finishes** for hazardous environments.
- **Torque Limiters** as part of the motor controls on electric models.

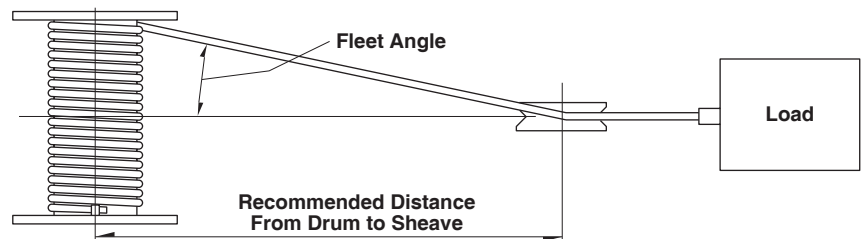


**Install wire rope correctly as shown, or brake will not operate properly.**

### Series 477 – Winch Dimensions (in)

model number	A	B	C	H	K	L	P	Q	S (hole dia.)
4771	14.38	8.86	3.55	17.45	6.75	6.31	5.70	2.16	.34
4771AC-1PH	14.38	8.86	3.55	22.00	6.75	6.31	5.70	2.16	.34
4771AC-1PH2	14.38	8.86	3.55	21.00	6.75	6.31	5.70	2.16	.34
4771AC-3PH	14.38	8.86	3.55	19.00	6.75	6.31	5.70	2.16	.34
4771DC	14.38	8.86	3.55	18.69	6.75	6.31	5.70	2.16	.34
4771PN	14.38	8.86	3.55	14.94	6.75	6.31	5.70	2.16	.34
4771HY	14.38	8.86	3.55	11.84	6.75	6.31	5.70	2.16	.34
4777	14.38	8.86	3.49	17.45	6.75	6.31	5.70	2.16	.34
4777DC	14.38	8.86	3.49	18.69	6.75	6.31	5.70	2.16	.34

Dimensions are for reference only and subject to change without notice.



### Series 477 – Drum Dimensions

model extension	drum diameter	flange diameter	drum width	fleet angle distance <sup>1</sup>
4771	3.00 in	6.00 in	6.00 in	10 ft
4771AC-1PH	3.00 in	6.00 in	6.00 in	10 ft
4771AC-1PH2	3.00 in	6.00 in	6.00 in	10 ft
4771AC-3PH	3.00 in	6.00 in	6.00 in	10 ft
4771DC	3.00 in	6.00 in	6.00 in	10 ft
4771PN	3.00 in	6.00 in	6.00 in	10 ft
4771HY	3.00 in	6.00 in	6.00 in	10 ft
4777	3.00 in	6.00 in	4.00 in	7 ft
4777DC	3.00 in	6.00 in	4.00 in	7 ft

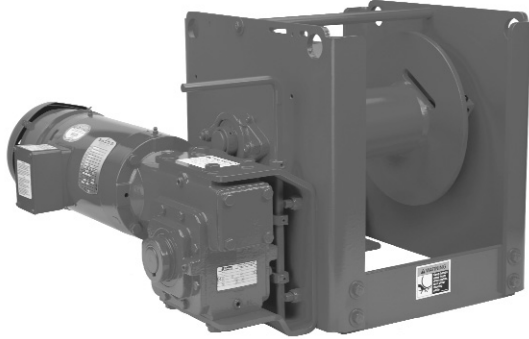
Dimensions are for reference only and subject to change without notice.

<sup>1</sup> Recommended minimum distance between drum and lead sheave for smooth drum.

#### Important:

It is the owner's or operator's responsibility to determine the suitability of the equipment to its intended use. Study all applicable codes, manuals, and regulations. Be sure to read the Owner's Manual supplied with the equipment before operating it.

Series 4WS3M10 shown with clutch



Wire rope assemblies and controls sold separately

## Series 4WS Worm/Spur Gear Power Winches

Up to 6000 lb capacity

- **Modular Design** allows us to make-to-order each winch to meet your exact needs.
- **Standard Features** include TEFC brake motors, enclosed machine cut gearing and flange style ball bearings.
- **Custom Modifications** available include grooved drums, special drum lengths and diameters, limit switches, roller pressure bars, and special finishes. Pneumatic, hydraulic and alternate motor voltages are also available.
- **Two-year Limited Warranty**

### Series 4WS Electric – Configurations and Performance Characteristics – Section 2

When ordering, please indicate Model Number and Extensions

Examples: 4WS1M6-1100-20-A (without clutch); 4WS1M6-1100-20-A-C (with clutch)

model number	model number extensions				motor hp	load rating(lb)				wire rope dia.(in)	line speed(fpm)		drum capacity(ft) <sup>1</sup>			approx. <sup>2</sup> ship wt.(lb)
	load rating	line speed	motor codes	clutch option		1st layer	mid drum	full drum	1st layer		full drum	1st layer	mid drum	full drum		
4WS1M6	800	15	A, B, D, E, F	C	.5	800	550	420	3/16	17	33	21	110	260	155	
4WS1M6	800	30	A, B, D, E, F	C	.75	800	550	420	3/16	29	55	21	110	260	165	
4WS1M6	800	40	A, B, D, E, F	C	1	800	550	420	3/16	43	82	21	110	260	175	
4WS1M6	1100	20	A, B, D, E, F	C	.75	1100	800	600	1/4	18	32	16	62	140	165	
4WS1M6	1100	30	A, B, D, E, F	C	1	1100	800	600	1/4	30	54	16	62	140	175	
4WS1M6	1100	40	D, E, F	C	1.5	1100	800	600	1/4	44	81	16	62	140	170	
4WS1M6	1500	20	A, B, D, E, F	C	1	1500	1000	800	1/4	18	32	16	62	140	175	
4WS1M6	1500	30	D, E, F	C	1.5	1500	1100	800	1/4	30	54	16	62	140	170	
4WS1M6	1500	40	B, D, E, F	C	2	1500	1100	800	1/4	44	81	16	62	140	180	
clutch option for 4WS1M6 (for horizontal pulling only)														add:	5	
4WS3M10	2000	15	A, B, D, E, F	C	1	2000	1300	1000	5/16	14	29	34	220	500	310	
4WS3M10	2000	20	D, E, F	C	1.5	2200	1400	1000	5/16	18	39	34	220	500	305	
4WS3M10	2500	20	B, D, E, F	C	2	2500	1600	1200	3/8	22	46	27	160	360	320	
4WS3M10	3000	15	D, E, F	C	1.5	3000	2000	1500	3/8	14	29	27	160	360	305	
4WS3M10	3000	20	B, D, E, F	C	2	3000	2000	1500	3/8	19	39	27	160	360	320	
4WS3M10	3500	7	A, B, D, E, F	C	1	3500	2300	1700	7/16	8	15	23	120	270	330	
4WS3M10	3500	15	B, D, E, F	C	2	3700	2500	1800	7/16	14	29	23	120	270	320	
4WS3M10	3500	20	D, E, F	C	3	3700	2500	1800	7/16	23	46	23	120	270	330	
clutch option for 4WS3M10 (for horizontal pulling only)														add:	8	
4WS6M12	3000	10	D, E, F	C	1.5	3400	2200	1600	3/8	12	25	40	300	660	515	
4WS6M12	3000	20	B, D, E, F	C	2	3100	2000	1500	3/8	20	42	40	300	660	530	
4WS6M12	4000	10	B, D, E, F	C	2	4500	2900	2100	7/16	12	25	34	220	500	530	
4WS6M12	4000	20	D, E, F	C	3	4000	2500	1900	7/16	24	50	34	220	500	540	
4WS6M12	6000	4	A, B, D, E, F	C	1	6200	4000	3000	1/2	4	8	30	170	390	535	
4WS6M12	6000	10	D, E, F	C	3	6400	4200	3100	9/16	12	25	26	140	310	540	
4WS6M12	6000	20	D, E, F	C	5	6400	4200	3100	9/16	24	50	26	140	310	585	
clutch option for 4WS6M12 (for horizontal pulling only)														add:	12	

#### Motor Codes

A	115 volt	1 phase
B	230 volt	1 phase
D	230 volt	3 phase
E	460 volt	3 phase
F	All other voltages – please contact factory.	

■ For more information and other control options, please see pages 46-48.

■ Custom controls are available including wireless remote control, variable speed control, electronic overload, and enclosures for special environments.

Please contact factory or nearest Thern Distributor for firm fixed price and delivery.

<sup>1</sup> Actual drum capacities 25-30% less, due to nonuniform winding. Wire rope tension will also affect drum capacity.

<sup>2</sup> Weight may vary with motor.

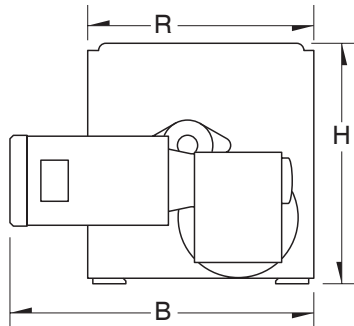
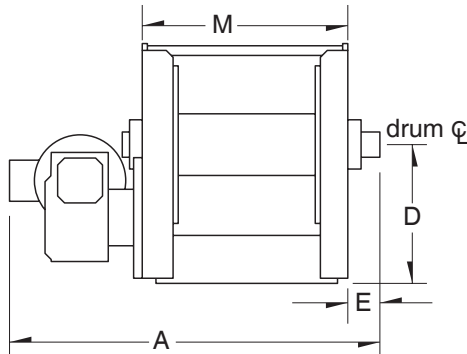
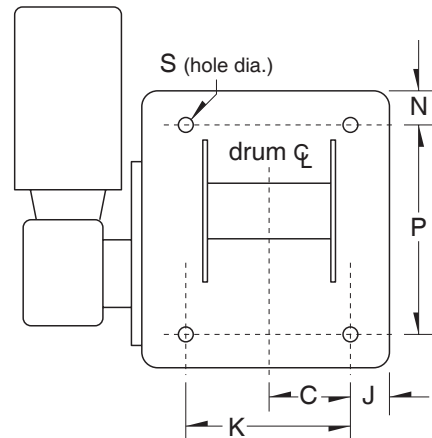
#### Electric Drum Control Switches – Order Separately – Section 2

model	description	115/1/60 <sup>3</sup>	230/1/60	230/3/60	460/3/60
10L2A1	NEMA 1	to 1.5 hp	to 2 hp	to 3 hp	to 3 hp
10L7E1	NEMA 1	to 1.5 hp	to 3 hp	to 5 hp	to 7.5 hp
10L2A4	NEMA 4 – watertight	to 1.5 hp	to 2 hp	to 3 hp	to 3 hp
10L7E4	NEMA 4 – watertight	—	to 3 hp	to 5 hp	to 7.5 hp
10P1A46	6 ft pendant control	to 1 hp	—	—	—

Please contact factory or nearest Thern Distributor for firm fixed price and delivery.

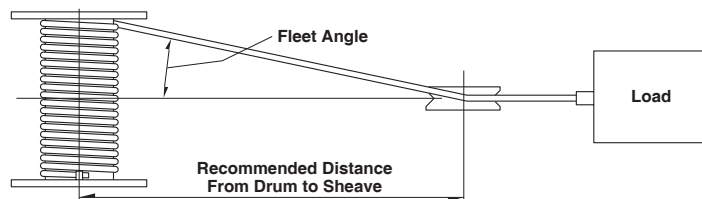
<sup>3</sup> Controls for 115V single phase motors up to 1.5 hp, include an 8 ft power cord with grounded plug.

See Dimensions on Next Page

**Side View**

**Front View**

**Top View**

**Series 4WS – Winch Dimensions (in)**

model extension	A	B	C	D	E	H	J	K	M	N	P	R	S (hole dia.)
4WS1M6-800-15	21.00	21.62	3.00	6.75	2.25	11.75	1.75	6.00	9.75	1.25	8.50	11.00	.44
4WS1M6-800-30	21.00	22.38	3.00	6.75	2.25	11.75	1.75	6.00	9.75	1.25	8.50	11.00	.44
4WS1M6-800-40	21.75	23.38	3.00	6.75	2.25	11.75	1.75	6.00	9.75	1.25	8.50	11.00	.44
4WS1M6-1100-20	21.00	22.38	3.00	6.75	2.25	11.75	1.75	6.00	9.75	1.25	8.50	11.00	.44
4WS1M6-1100-30	21.75	23.38	3.00	6.75	2.25	11.75	1.75	6.00	9.75	1.25	8.50	11.00	.44
4WS1M6-1100-40	21.75	22.38	3.00	6.75	2.25	11.75	1.75	6.00	9.75	1.25	8.50	11.00	.44
4WS1M6-1500-20	21.75	23.38	3.00	6.75	2.25	11.75	1.75	6.00	9.75	1.25	8.50	11.00	.44
4WS1M6-1500-30	21.75	22.38	3.00	6.75	2.25	11.75	1.75	6.00	9.75	1.25	8.50	11.00	.44
4WS1M6-1500-40	21.75	25.00	3.00	6.75	2.25	11.75	1.75	6.00	9.75	1.25	8.50	11.00	.44
4WS3M10-2000-15	27.75	26.75	5.00	10.12	2.38	17.50	2.38	10.00	15.00	1.88	12.75	16.50	.59
4WS3M10-2000-20	27.75	25.75	5.00	10.12	2.38	17.50	2.38	10.00	15.00	1.88	12.75	16.50	.59
4WS3M10-2500-20	27.75	28.25	5.00	10.12	2.38	17.50	2.38	10.00	15.00	1.88	12.75	16.50	.59
4WS3M10-3000-15	27.75	25.75	5.00	10.12	2.38	17.50	2.38	10.00	15.00	1.88	12.75	16.50	.59
4WS3M10-3000-20	27.75	28.25	5.00	10.12	2.38	17.50	2.38	10.00	15.00	1.88	12.75	16.50	.59
4WS3M10-3500-7	27.75	32.00	5.00	10.12	2.38	17.50	2.38	10.00	15.00	1.88	12.75	16.50	.59
4WS3M10-3500-15	27.75	28.25	5.00	10.12	2.38	17.50	2.38	10.00	15.00	1.88	12.75	16.50	.59
4WS3M10-3500-20	28.81	33.00	5.00	10.12	2.38	17.50	2.38	10.00	15.00	1.88	12.75	16.50	.59
4WS6M12-3000-10	33.00	26.75	5.62	12.88	2.50	22.50	3.25	12.00	19.00	1.88	18.25	22.00	.88
4WS6M12-3000-20	33.00	29.50	5.62	12.88	2.50	22.50	3.25	12.00	19.00	1.88	18.25	22.00	.88
4WS6M12-4000-10	33.00	29.50	5.62	12.88	2.50	22.50	3.25	12.00	19.00	1.88	18.25	22.00	.88
4WS6M12-4000-20	34.00	29.25	5.62	12.88	2.50	22.50	3.25	12.00	19.00	1.88	18.25	22.00	.88
4WS6M12-6000-4	33.00	27.75	5.62	12.88	2.50	22.50	3.25	12.00	19.00	1.88	18.25	22.00	.88
4WS6M12-6000-10	34.00	29.25	5.62	12.88	2.50	22.50	3.25	12.00	19.00	1.88	18.25	22.00	.88
4WS6M12-6000-20	34.00	31.00	5.62	12.88	2.50	22.50	3.25	12.00	19.00	1.88	18.25	22.00	.88

Dimensions are for reference only and subject to change without notice.


**Series 4WS – Drum Dimensions**

model extension	drum diameter	flange diameter	drum width	fleet angle distance <sup>1</sup>
4WS1M6	2.88 in	7.00 in	6.00 in	10 ft
4WS3M10	4.50 in	11.50 in	10.00 in	16 ft
4WS6M12	5.50 in	14.00 in	12.00 in	20 ft

Dimensions are for reference only and subject to change without notice.

<sup>1</sup> Recommended minimum distance between drum and lead sheave for smooth drum.

**Important:**

It is the owner's or operator's responsibility to determine the suitability of the equipment to its intended use. Study all applicable codes, manuals, and regulations. Be sure to read the Owner's Manual supplied with the equipment before operating it.